

# LINEAR HIGHBAY LHB - 080



## LED Linear Highbay Light

High Efficacy up to 150 lm/W and up to 75% in energy savings available in 80W-240W configurations.

### APPLICATIONS

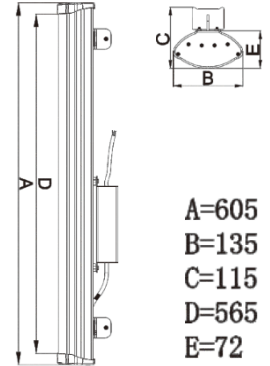
- Warehouse / Plant / Manufacturing
- Automotive
- Exhibition / Showroom / Event Halls
- Retail
- Sporting Arenas
- Canopy Areas

### AUTHORIZED BY:

NAME:

DATE:

| DIMENSIONS & WEIGHT |         |
|---------------------|---------|
| PRODUCT LINE        | LHB-080 |
| LENGTH (cm)         | 60.5    |
| WIDTH (cm)          | 13.5    |
| HEIGHT (cm)         | 7.2     |
| NET WEIGHT (Kg)     | 3.2     |
| PCS / CARTON        | 2       |
| CARTON WEIGHT (Kg)  | 7.8     |



A=605  
B=135  
C=115  
D=565  
E=72

### ORDERING INFORMATION

| CNX-LHB      |  |                |
|--------------|--|----------------|
| PRODUCT TYPE | COLOR TEMPERATURE                      | WATTAGE        |
| CNX-LHB      | 40 – 4000K<br>45 – 4500K<br>50 – 5000K | 080 – 80 WATTS |

### PRODUCT SPECIFICATIONS

#### Construction Characteristics:

- Single extruded aluminum housing (Silver)
- Vandal/UV resistant polycarbonate lens (White)
- High grade thermal paste for optimal PCB to fixture cooling
- Weight: 3.2 Kg
- 100,000 switching cycles
- Quality corrosion resistant finish
- IP 65 – suitable for outdoor use

#### Electrical Characteristics:

- Input Voltage: 120 ~ 277 VAC or 200-480 VAC, 50/60 Hz
- Power Factor: 0.9 at full load
- THD = <20%
- Operating Temperature Range: -20 ~ +70C
- Built in 4kV protection
- Optional Surge Protection: 10kV/10kA or 20kv/20kA

### PRODUCT OPTIONS

| INPUT VOLTAGE  | ADDITIONAL SURGE PROTECTION   | COLOR RENDERING INDEX                           |
|--|---|---|
| P1 – 120~277 VAC<br>P2 – 200~480 VAC   | 10K – 10KV/KA<br>20K – 20KV/KA (P2 ONLY)<br>XXX – NO SURGE PROTECTION | 80 – 80 CRI<br>90 – 90 CRI                      |
| CONTROL  | MOUNTING  | EMERGENCY BACKUP                                |
| CTR – CONX CONTROL<br>DALI – 1-10V DALI<br>ZIG – ZIGBEE<br>MTN – MOTION<br>DAY – DAYLIGHT HARVESTING<br>XXX – NO CONTROL | SFC – SURFACE MOUNT<br>SSP – SUSPENSION MOUNT                         | EMG – BATTERY BACKUP<br>XXX – NO BATTERY BACKUP |

### ELECTRICAL DATA

| NUMBER LEDS    | SYSTEM WATTAGE | LUMEN OUTPUT  | EFFICACY |
|----------------|----------------|---------------|----------|
| 378 – 378 LEDS | 80 WATTS       | 12,000 LUMENS | 150 LM/W |

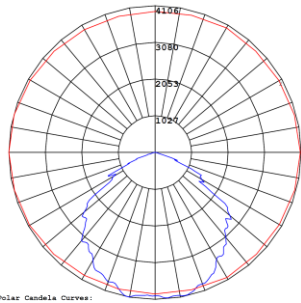
\*Available in 3,000K upon special request

# LINEAR HIGHBAY LHB - 080



## PHOTOMETRICS

### LHB - 080

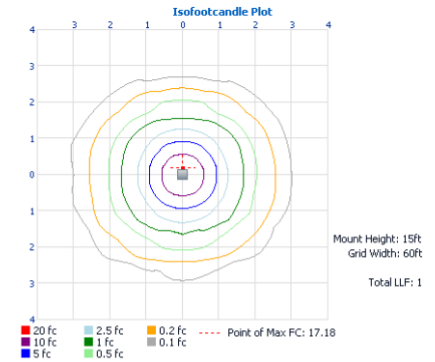


**Polar Candela Curves:**  
 1) 180 - 0 Horizontal  
 Horizontal Cone Through:  
 2) 11 Vertical

**Illuminance at a Distance**

|         | Center Beam fc | Beam Width      |                 |
|---------|----------------|-----------------|-----------------|
| 17.0ft  | <b>13.9 fc</b> | <b>48.4 ft</b>  | <b>47.9 ft</b>  |
| 34.0ft  | <b>3.47 fc</b> | <b>96.8 ft</b>  | <b>95.8 ft</b>  |
| 51.0ft  | <b>1.54 fc</b> | <b>145.2 ft</b> | <b>143.7 ft</b> |
| 68.0ft  | <b>0.87 fc</b> | <b>193.5 ft</b> | <b>191.7 ft</b> |
| 85.0ft  | <b>0.55 fc</b> | <b>241.9 ft</b> | <b>239.6 ft</b> |
| 102.0ft | <b>0.39 fc</b> | <b>290.3 ft</b> | <b>287.5 ft</b> |

■ Vert. Spread: 109.8°  
 ■ Horiz. Spread: 109.3°



## MOUNTING OPTIONS



Suspension Mount Kit

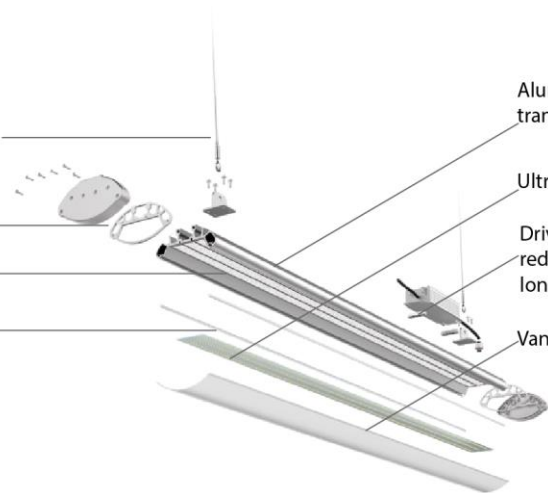
## Exploded Drawing

Easy, reliable, corrosion resistant, contemporary stainless-steel suspension mounting kit. 30 Kg capacity.

High-grade silicone seals throughout (IP65).

Premium thermal paste for increased heat transference (LED PCB to aluminum housing).

High-grade silicone seals throughout (IP65).



Aluminum housing provides exceptional heat transference for ultra-long lifespan.

Ultra-efficient LEDs delivering up to 150lm/W.

Driver mounted on thermal inhibiting spacers, reducing heat transfer to the driver - providing a longer lifespan.

Vandal/UV resistant polycarbonate lens.