

LINEAR HIGHBAY LHB – 150/180



LED Linear Highbay Light

High Efficacy up to 150 lm/W and up to 75% in energy savings available in 80W-240W configurations.

APPLICATIONS

- Parking
- Manufacturing
- Warehouse
- Commercial
- Sports Facilities
- Showrooms
- Automotive
- Service Center
- Task

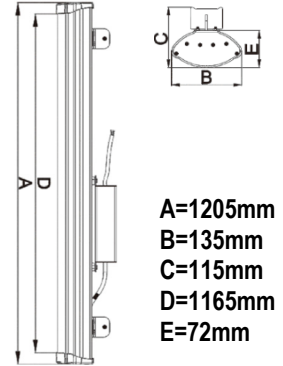
AUTHORIZED BY:

NAME:

DATE:

DIMENSIONS & WEIGHT

PRODUCT LINE	LHB-150/180
LENGTH (cm)	120.5
WIDTH (cm)	13.5
HEIGHT (cm)	7.2
NET WEIGHT (Kg)	5.5
PCS / CARTON	2
CARTON WEIGHT (Kg)	13.5



ORDERING INFORMATION

CNX-LHB		
PRODUCT TYPE	COLOR TEMPERATURE	WATTAGE
CNX-LHB	40 – 4000K 45 – 4500K 50 – 5000K	150 – 100 WATTS 180 – 120 WATTS

PRODUCT SPECIFICATIONS

Construction Characteristics:

- Single extruded aluminum housing (Silver)
- Vandal/UV resistant polycarbonate lens (White)
- High grade thermal paste for optimal PCB to fixture cooling
- Weight: 5.5 Kg
- 100,000 switching cycles
- Quality corrosion resistant finish
- IP 65 – suitable for outdoor use

Electrical Characteristics:

- Input Voltage: 120 ~ 277 VAC or 200-480 VAC, 50/60 Hz
- Power Factor: 0.9 at full load
- THD = <20%
- Operating Temperature Range: -20 ~ +70C
- Built in 4kV protection
- Optional Surge Protection: 10kV/10kA or 20kV/20kA

PRODUCT OPTIONS

INPUT VOLTAGE	ADDITIONAL SURGE PROTECTION	COLOR RENDERING INDEX
P1 – 120~277 VAC P2 – 200~480 VAC	10K – 10KV/KA 20K – 20KV/KA (P2 ONLY) XXX – NO SURGE PROTECTION	80 – 80 CRI 90 – 90 CRI
CONTROL	MOUNTING	EMERGENCY BACKUP
CTR – CNX CONTROL DAL – 1-10V DALI ZIG – ZIGBEE MTN – MOTION DAY – DAYLIGHT HARVESTING XXX – NO CONTROL	SFC – SURFACE MOUNT SSP – SUSPENSION MOUNT	EMG – BATTERY BACKUP XXX – NO BATTERY BACKUP

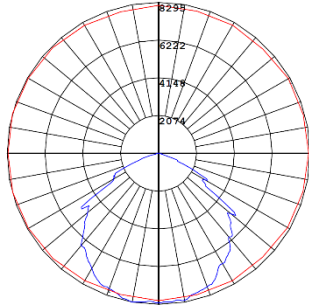
ELECTRICAL DATA

NUMBER LEDS	SYSTEM WATTAGE	LUMEN OUTPUT	EFFICACY
756 – 756 LEDS	150 WATTS	22,500 LUMENS	150 LM/W
756 – 756 LEDS	180 WATTS	27,000 LUMENS	150 LM/W

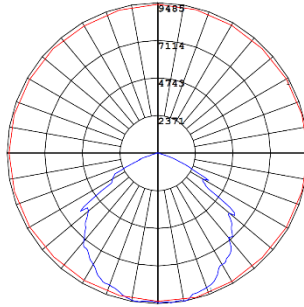
*Available in 3,000K upon special request

LINEAR HIGHBAY LHB – 150/180

POLAR CANDELA CURVE	POLAR CANDELA CURVE	ILLUMINANCE AT A DISTANCE	ILLUMINANCE AT A DISTANCE
LHB – 150	LHB – 180	LHB – 150	LHB – 180



Vertical Plane Through: 165 - 345 Horizontal
Horizontal Cone Through: 10 Vertical
Maximum Candela = 8295.36 at 165 H 10 V



Vertical Plane Through: 0 - 180 Horizontal
Horizontal Cone Through: 5 Vertical
Maximum Candela = 9485.35 at 0 H 5 V

Center Beam fc	Beam Width	
17.0ft	28.5 fc	47.6 ft 51.1 ft
34.0ft	7.11 fc	95.2 ft 102.3 ft
51.0ft	3.16 fc	142.7 ft 153.4 ft
68.0ft	1.78 fc	190.3 ft 204.5 ft
85.0ft	1.14 fc	237.9 ft 255.7 ft
102.0ft	0.79 fc	285.5 ft 306.8 ft

■ Vert. Spread: 108.9°
■ Horiz. Spread: 112.8°

Center Beam fc	Beam Width	
17.0ft	32.5 fc	48.0 ft 51.2 ft
34.0ft	8.14 fc	96.1 ft 102.3 ft
51.0ft	3.62 fc	144.1 ft 153.5 ft
68.0ft	2.03 fc	192.1 ft 204.7 ft
85.0ft	1.30 fc	240.1 ft 255.8 ft
102.0ft	0.90 fc	288.2 ft 307.0 ft

■ Vert. Spread: 109.4°
■ Horiz. Spread: 112.8°

MOUNTING OPTIONS



Suspension Mount Kit

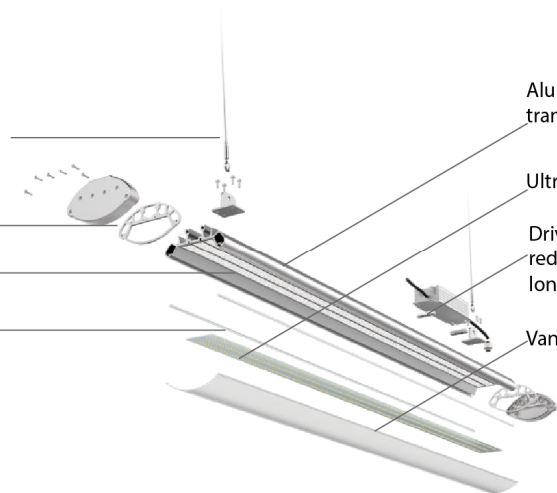
Exploded Drawing

Easy, reliable, corrosion resistant, contemporary stainless-steel suspension mounting kit. 30 Kg capacity.

High-grade silicone seals throughout (IP65).

Premium thermal paste for increased heat transference (LED PCB to aluminum housing).

High-grade silicone seals throughout (IP65).



Aluminum housing provides exceptional heat transference for ultra-long lifespan.

Ultra-efficient LEDs delivering up to 150lm/W.

Driver mounted on thermal inhibiting spacers, reducing heat transfer to the driver - providing a longer lifespan.

Vandal/UV resistant polycarbonate lens.