

# LINEAR HIGHBAY LHB – 240



## LED Linear Highbay Light

High Efficacy up to 150 lm/W and up to 75% in energy savings available in 60W-240W configurations.

### APPLICATIONS

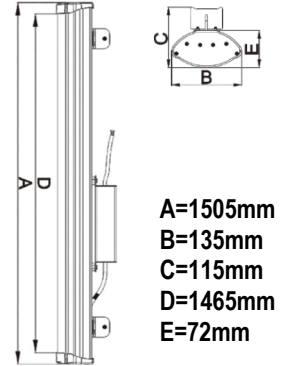
- Parking
- Manufacturing
- Warehouse
- Commercial
- Sports Facilities
- Showrooms
- Automotive
- Service Center
- Task

### AUTHORIZED BY:

NAME:

DATE:

DIMENSIONS & WEIGHT	
PRODUCT LINE	LHB-240
LENGTH (cm)	150.5
WIDTH (cm)	13.5
HEIGHT (cm)	7.2
NET WEIGHT (Kg)	6.6
PCS / CARTON	2
CARTON WEIGHT (Kg)	16.8



### ORDERING INFORMATION

CNX-LHB		
PRODUCT TYPE	COLOR TEMPERATURE	WATTAGE
CNX-LHB	40 – 4000K 45 – 4500K 50 – 5000K	240 – 240 WATTS

### PRODUCT SPECIFICATIONS

#### Construction Characteristics:

- Single extruded aluminum housing (Silver)
- Vandal/UV resistant polycarbonate lens (White)
- High grade thermal paste for optimal PCB to fixture cooling
- Weight: 6.6 Kg
- 100,000 switching cycles
- Quality corrosion resistant finish
- IP 65 – suitable for outdoor use

#### Electrical Characteristics:

- Input Voltage: 120 ~ 277 VAC or 200-480 VAC, 50/60 Hz
- Power Factor: 0.9 at full load
- THD = <20%
- Operating Temperature Range: -20 ~ +70C
- Built in 4kV protection
- Optional Surge Protection: 10kV/10kA or 20kV/20kA

### PRODUCT OPTIONS

INPUT VOLTAGE	ADDITIONAL SURGE PROTECTION	COLOR RENDERING INDEX
P1 – 120~277 VAC P2 – 200~480 VAC	10K – 10KV/KA 20K – 20KV/KA (P2 ONLY) XXX – NO SURGE PROTECTION	80 – 80 CRI 90 – 90 CRI
CONTROL	MOUNTING	EMERGENCY BACKUP
CTR – CNX CONTROL DAL – 1-10V DALI ZIG – ZIGBEE MTN – MOTION DAY – DAYLIGHT HARVESTING XXX – NO CONTROL	SFC – SURFACE MOUNT SSP – SUSPENSION MOUNT	EMG – BATTERY BACKUP XXX – NO BATTERY BACKUP

### ELECTRICAL DATA

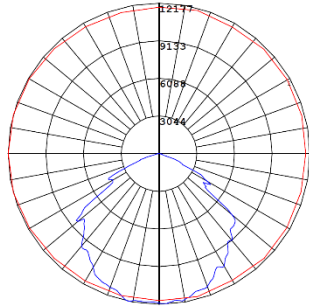
NUMBER LEDS	SYSTEM WATTAGE	LUMEN OUTPUT	EFFICACY
1008 – 1008 LEDS	240 WATTS	36,000 LUMENS	150 LM/W

\*Available in 3,000K upon special request

# LINEAR HIGHBAY LHB – 240



POLAR CANDELA CURVE	ILLUMINANCE AT A DISTANCE
LHB – 240	LHB – 240



	Center Beam fc	Beam Width
17.0R	41.8 fc	46.4 ft 50.7 ft
34.0R	10.5 fc	92.7 ft 101.4 ft
51.0R	4.65 fc	139.1 ft 152.1 ft
68.0R	2.61 fc	185.5 ft 202.8 ft
85.0R	1.67 fc	231.9 ft 253.5 ft
102.0R	1.16 fc	278.2 ft 304.2 ft

■ Vert. Spread: 107.5°  
■ Horiz. Spread: 112.3°

Vertical Plane Through: 180 - 0 Horizontal  
 Horizontal Cone Through: 12 Vertical  
 Maximum Candela = 12176.77 at 180 H 12 V

## MOUNTING OPTIONS



Suspension Mount Kit

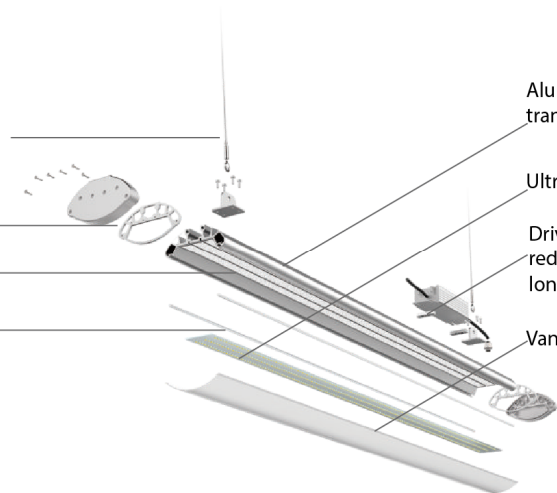
## Exploded Drawing

Easy, reliable, corrosion resistant, contemporary stainless-steel suspension mounting kit. 30 Kg capacity.

High-grade silicone seals throughout (IP65).

Premium thermal paste for increased heat transference (LED PCB to aluminum housing).

High-grade silicone seals throughout (IP65).



Aluminum housing provides exceptional heat transference for ultra-long lifespan.

Ultra-efficient LEDs delivering up to 150lm/W.

Driver mounted on thermal inhibiting spacers, reducing heat transfer to the driver - providing a longer lifespan.

Vandal/UV resistant polycarbonate lens.